

Silk Button Soft Seal Gate Valve

Z15X-10/16Q

The telescopic butterfly valve is equipped with a telescopic flange on the basis of the ordinary soft-sealed butterfly valve, and the installation length of the valve can be freely telescopic within a certain range for easy installation.

Performance Parameter

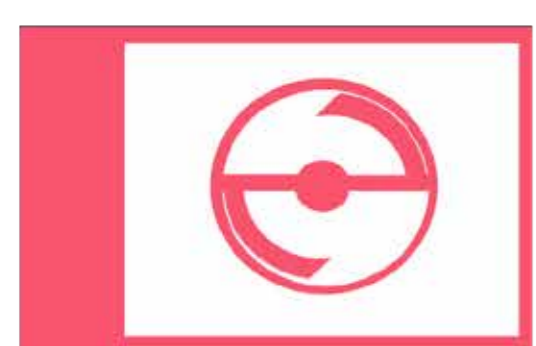
Nominal pressure: 1.6MPa
Suitable temperature: 0-80 °C
Suitable medium: Water

Main Components

Valve body: Nodular cast iron
Bonnet: Nodular cast iron
Valve plate: Nodular cast iron

FEATURES

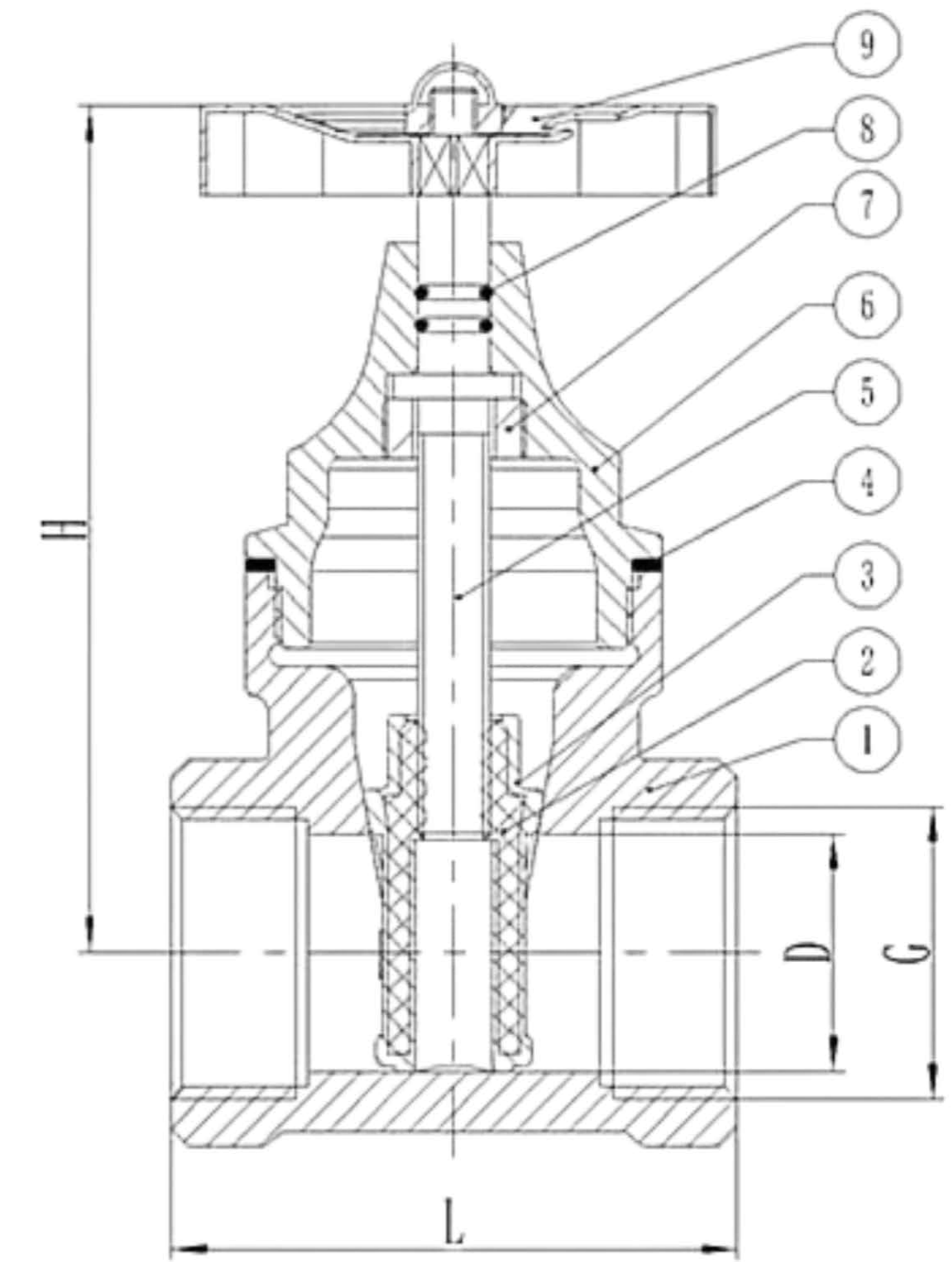
- Precision-cast from ductile iron using resin and coated sand, ensuring accurate sizing and a sleek finish.
- Complete rubber coverage on the gate guarantees airtight sealing with zero leaks.
- Mold-formed rubber plate ensures easy maintenance and replacement with seamless interchangeability.
- The valve stem's "O" sealing ring ensures maintenance-free operation.
- Designed without grooves at the valve body's base, preventing any slag accumulation.
- Both internal and external surfaces are electrostatically sprayed with epoxy resin powder, meeting strict drinking water sanitation standards.
- The high-temperature curing process ensures outstanding anti-corrosion performance.



The design, materials and specifications are subject to change without notice. This is due to continuous development

Main Components

Main Components	
Valve body:	Nodular cast iron
Bonnets:	Nodular cast iron
Valve plate:	Nodular cast iron
Plywood:	Nitrile rubber/EPDM
Stem:	Stainless steel
P - ring seal:	Nitrile rubber
Valve stem nut:	Copper alloy



Installation Dimension Unit : mm

DN	L	H	1.0MPa			1.6MPa		
			D	D1	n - φd	D	D1	n - φd
50	178	170	165	125	4 - φ19	165	125	4 - φ19
65	190	202	185	145	4 - φ19	185	145	4 - φ19
80	203	248	200	160	8 - φ19	200	160	8 - φ19
100	229	285	220	180	8 - φ19	220	180	8 - φ19
125	254	352	250	210	8 - φ19	250	180	8 - φ19
150	267	375	285	240	8 - φ23	285	240	8 - φ23
200	292	465	340	295	8 - φ23	340	295	12 - φ23
250	330	558	395	350	12 - φ23	405	355	12 - φ28
300	356	650	445	400	12 - φ23	460	410	16 - φ28
350	381	775	505	460	16 - φ23	520	470	16 - φ28
400	406	840	565	515	16 - φ28	580	525	16 - φ31
500	457	1060	670	620	20 - φ28	715	650	20 - φ34
600	508	1280	780	725	20 - φ31	840	770	20 - φ37
700	610	1368	895	840	24 - φ31	910	840	24 - φ37
800	660	1470	1015	950	24 - φ34	1025	950	24 - φ40
900	711	1585	1115	1050	28 - φ34	1125	1050	28 - φ40
1000	811	1775	1230	1160	28 - φ37	1255	1170	28 - φ43
1200	1015	2180	1455	1380	32 - φ40	1485	1390	32 - φ49



The design, materials and specifications are subject to change without notice. This is due to continuous development