

## Y-Type Filter

GLQ41(Y)-10Q/16Q

GLQ41-10Q/16Q Y-type filter screen is made of stainless steel. Installed in the pipeline or before the water meter plays the role of filtering impurities, protecting water meters and other water supply pipeline equipment, ensuring the normal operation of water supply equipment, and preventing impurities from blocking water meters, valves and other pipeline equipment.

### Performance Parameter

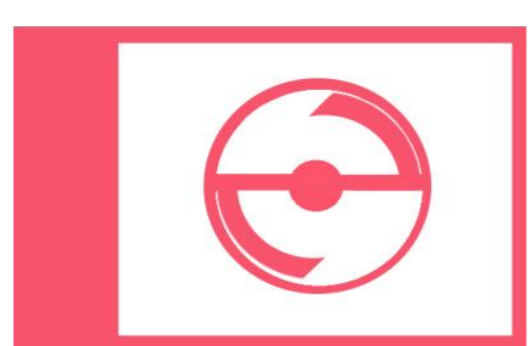
Nominal Pressure: 1.0 1.6  
 Strength Test Pressure (MPa): 1.5 2.4  
 Sealing Test Pressure (MPa): 1.1 1.76  
 Applicable Temperature: 0-80°C  
 Applicable Medium: Water

### Main Components

Body: Nodular cast iron  
 Filter Screen: Stainless steel  
 Bonnet: Nodular cast iron  
 Sealing Ring: NBR/EPDM

### FEATURES

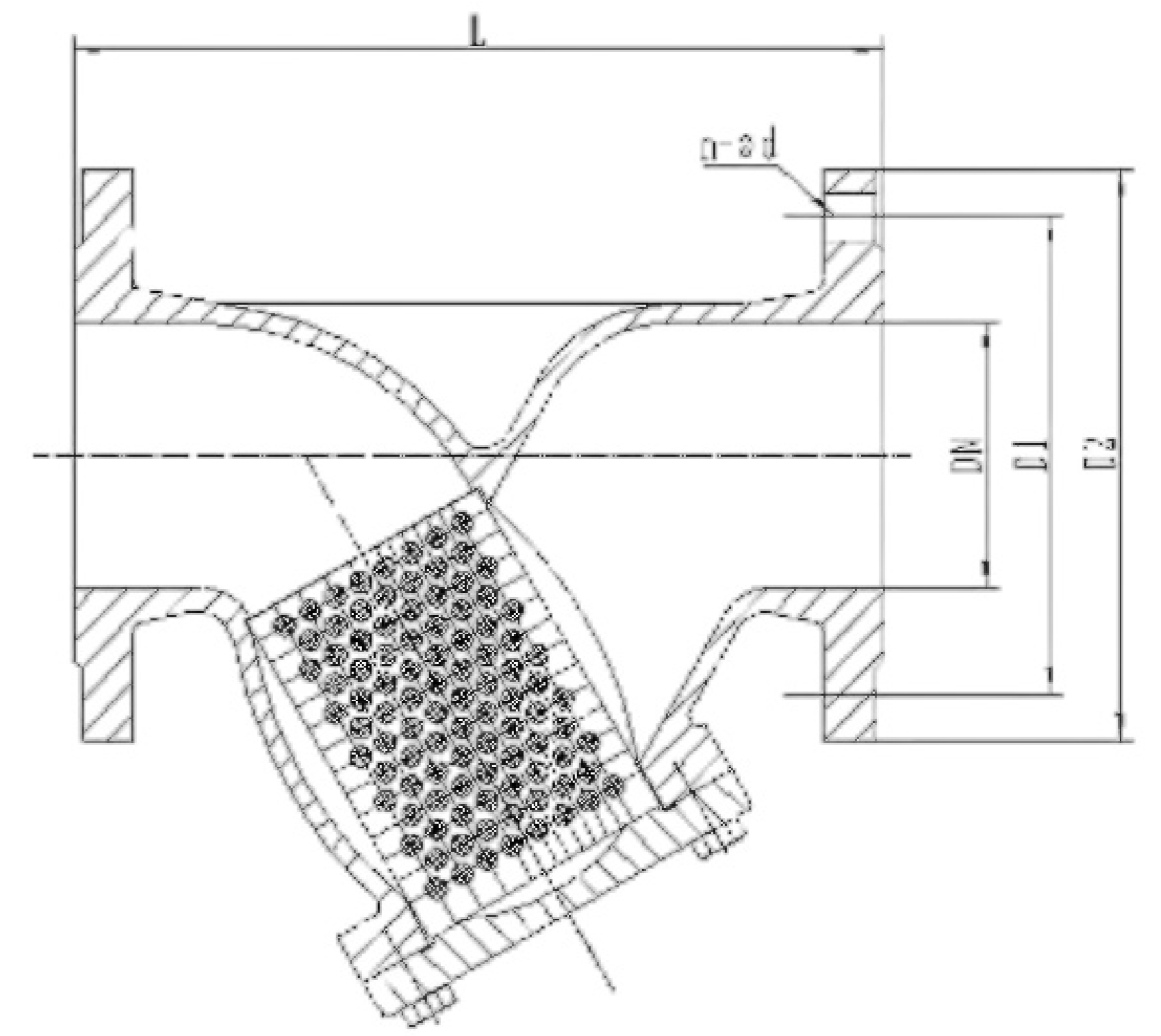
- Filter particulate impurities in the medium.
- Easy to install and remove.
- Excellent blow down performance.
- Stainless steel double-layer structure, long service life.
- Remove the filter cartridge can be cleaned and easy to maintain.
- The number of filter can be customized according to customer needs.
- Widely used in water supply and drainage, function, petroleum industry, mining, textile, electric power, metallurgy and other industries.



The design, materials and specifications are subject to change without notice. This is due to continuous development

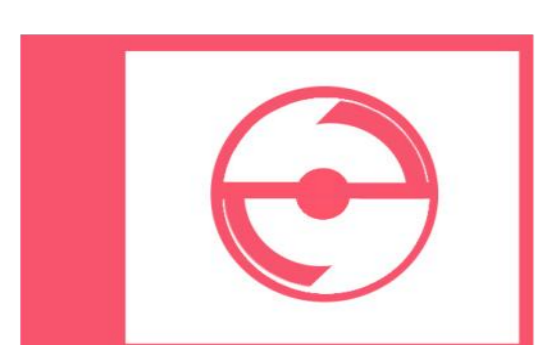
## Main Components

Main Components	
Body:	Nodular cast iron
Filter Screen:	Stainless steel
Bonnet:	Nodular cast iron
Sealing Ring:	NBR/EPDM



## Installation Dimension Unit : mm

DN	G	L	S	H
15	1/2"	80	30	46
20	3/4"	90	36	53
25	1"	110	44	63
40	1 1/2"	155	60	95
50	2	185	70	106



The design, materials and specifications are subject to change without notice. This is due to continuous development