

Flanged Soft Seal Gate Valve

Z45X-10/16Q

The Flanged Soft Seal Gate Valve is purpose-built for efficiently managing water supply pipes. Its valve body features an interior and exterior coated with electrostatically sprayed epoxy resin, while the valve stem is crafted from stainless steel. The gate, made of ductile iron using specialized technology, is entirely encased in durable rubber, ensuring exceptional longevity.

Performance Parameter

Nominal pressure: 1.6MPa
Suitable temperature: 0-80 °C
Suitable medium: Water

Main Components

Valve body: Nodular cast iron
Bonnet: Nodular cast iron
Valve plate: Nodular cast iron

FEATURES

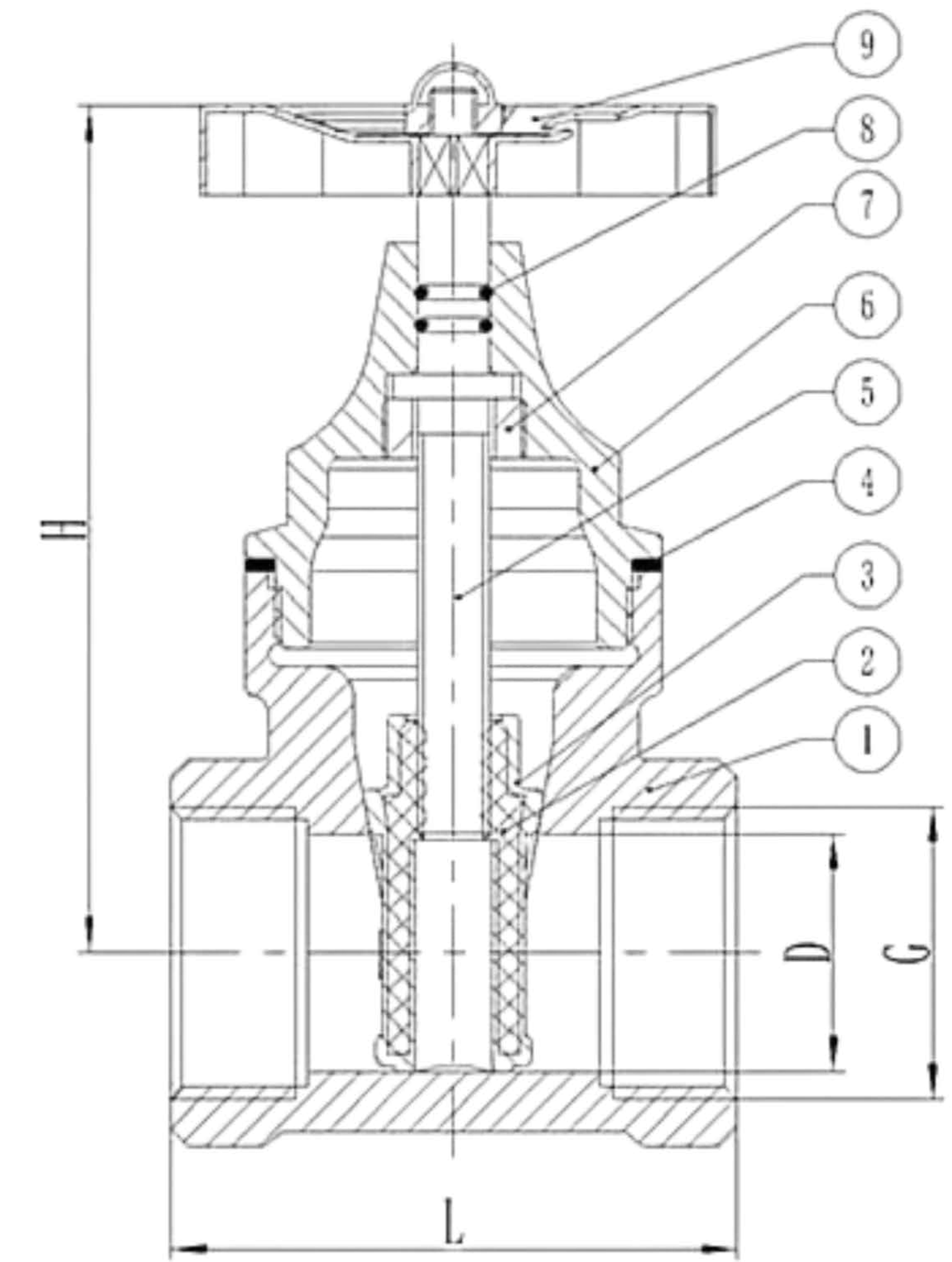
- Precision-cast from ductile iron using resin and coated sand, ensuring accurate sizing and a sleek finish.
- Complete rubber coverage on the gate guarantees airtight sealing with zero leaks.
- Mold-formed rubber plate ensures easy maintenance and replacement with seamless interchangeability.
- The valve stem's "O" sealing ring ensures maintenance-free operation.
- Designed without grooves at the valve body's base, preventing any slag accumulation.
- Both internal and external surfaces are electrostatically sprayed with epoxy resin powder, meeting strict drinking water sanitation standards. The high-temperature curing process ensures outstanding anti-corrosion performance.



The design, materials and specifications are subject to change without notice. This is due to continuous development

Main Components

Main Components	
Valve body:	Nodular cast iron
Bonnets:	Nodular cast iron
Valve plate:	Nodular cast iron
Plywood:	Nitrile rubber/EPDM
Stem:	Stainless steel
P - ring seal:	Nitrile rubber
Valve stem nut:	Copper alloy



Installation Dimension Unit : mm

DN	L	H	1.0MPa			1.6MPa		
			D	D1	n - φd	D	D1	n - φd
50	178	170	165	125	4 - φ19	165	125	4 - φ19
65	190	202	185	145	4 - φ19	185	145	4 - φ19
80	203	248	200	160	8 - φ19	200	160	8 - φ19
100	229	285	220	180	8 - φ19	220	180	8 - φ19
125	254	352	250	210	8 - φ19	250	180	8 - φ19
150	267	375	285	240	8 - φ23	285	240	8 - φ23
200	292	465	340	295	8 - φ23	340	295	12 - φ23
250	330	558	395	350	12 - φ23	405	355	12 - φ28
300	356	650	445	400	12 - φ23	460	410	16 - φ28
350	381	775	505	460	16 - φ23	520	470	16 - φ28
400	406	840	565	515	16 - φ28	580	525	16 - φ31
500	457	1060	670	620	20 - φ28	715	650	20 - φ34
600	508	1280	780	725	20 - φ31	840	770	20 - φ37
700	610	1368	895	840	24 - φ31	910	840	24 - φ37
800	660	1470	1015	950	24 - φ34	1025	950	24 - φ40
900	711	1585	1115	1050	28 - φ34	1125	1050	28 - φ40
1000	811	1775	1230	1160	28 - φ37	1255	1170	28 - φ43
1200	1015	2180	1455	1380	32 - φ40	1485	1390	32 - φ49



The design, materials and specifications are subject to change without notice. This is due to continuous development