

Butterfly Valve for Pipe Networks

GD342X-10/16Q

Pipe Network Butterfly Valve GD342X-10/16Q adopts a double eccentric soft seal structure, with a taper square head drive, installed in underground pipe network, which is convenient for valve operation.

Performance Parameter

Nominal Pressure: 1.0/1.6MPa
 Applicable Temperature: 0 ~ 80°C
 Applicable Medium: Water, sewage
 Operating mode: Manual operation options include hand wheel or pipe network types based on user preferences. .

Main Components

Part Name: Material
 Valve body: Nodular cast iron
 Butterfly plate: Nodular cast iron
 Butterfly plate sealing ring: 316L

FEATURES

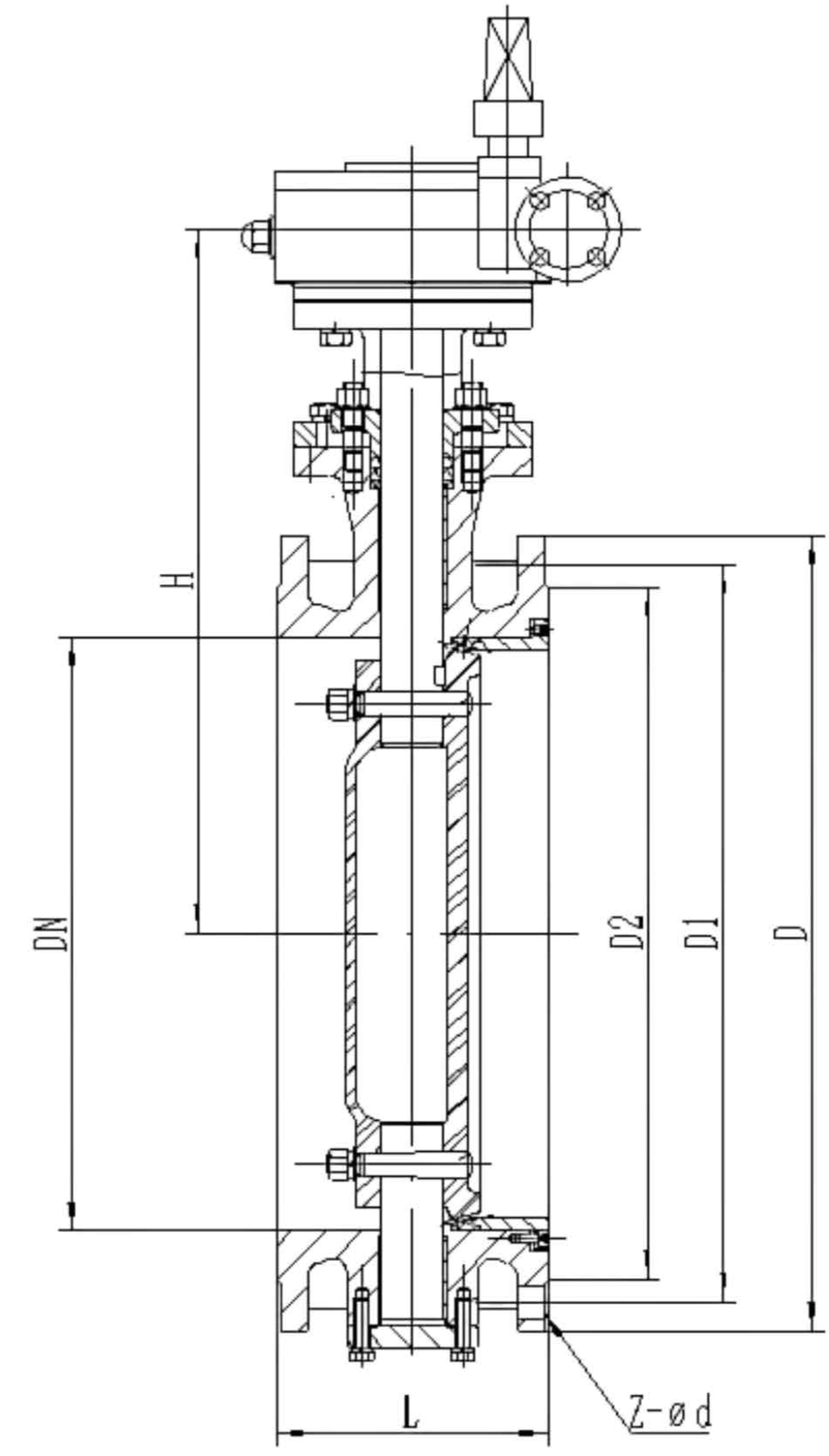
- Compared with the gate valve of the same caliber, it is small in size, light in weight, easy to install, and saves installation space.
- Adopt double eccentric structure, operation is light and convenient, saving 2/3 labor than gate valve of the same caliber.
- Butterfly plate adopts truss structure, good flow performance, small fluid resistance.
- The sealing surface of the butterfly plate is made of stainless steel by robotic surfacing.
- Butterfly valve adopts CNC machining spherical sealing to ensure.
- Excellent sealing performance, bi-directional zero leakage.
- The sealing ring is installed on the valve body to reduce scouring damage, and the service life is significantly increased.
- Good regulating performance, can be used as a regulating valve.
- Expansion butterfly valve flange can be freely retracted, easy to install and maintain, to eliminate pipeline deformation and stress.
- According to the user's needs to choose manual, electric, pneumatic control of the valve switch.
- Suitable for water supply and drainage, heating, sewage treatment and urban construction and fire fighting industries.



The design, materials and specifications are subject to change without notice. This is due to continuous development

Main Components

Main Components	
Body :	Ductile iron
Disc :	Ductile iron
Disc seal ring :	316L
Valve shaft:	Stainless steel
O-ring:	NBR
Valve seat sealing ring:	NBR/EPDM
Bearing:	Copper based self – lubricating bearings



Installation Dimension Unit : mm

DN	L				1.0MPa			1.6MPa		
	L	Expansion	Stretch	H	D	D1	n - φd	D	D1	n - φd
80	114	182	12	240	200	160	8 - φ 19	200	160	8 - φ 19
100	127	201	15	255	220	180	8 - φ 19	220	180	8 - φ 19
150	140	223	20	290	285	240	8 - φ 23	285	240	8 - φ 23
200	152	242	20	340	340	295	8 - φ 23	340	295	12 - φ 23
250	165	261	20	395	395	350	12 - φ 23	405	355	12 - φ 28
300	178	279	23	405	445	400	12 - φ 23	460	410	12 - φ 28
350	190	270	25	460	505	460	16 - φ 23	520	470	16 - φ 28
400	216	338	25	510	565	515	16 - φ 28	580	525	16 - φ 31
450	222	/	/	550	615	565	20 - φ 28	640	585	20 - φ 31
500	229	362	25	690	670	620	20 - φ 28	715	650	20 - φ 34
600	267	408	30	670	780	725	20 - φ 31	840	770	20 - φ 37
700	292	433	30	740	895	840	24 - φ 31	910	840	24 - φ 37
800	318	472	35	810	1015	950	24 - φ 34	1025	950	24 - φ 40
900	330	/	/	877	1115	1050	28 - φ 34	1125	1050	28 - φ 40
1000	410	565	35	920	1230	1160	28 - φ 37	1255	1170	28 - φ 43
1200	480	640	40	1030	1455	1380	32 - φ 40	1485	1390	32 - φ 49
1400	530	/	/	1270	1675	1590	36 - φ 43	1685	1590	36 - φ 49
1600	600	/	/	1655	1915	1820	40 - φ 48	1930	1820	40 - φ 56
1800	670	/	/	1840	2115	2020	44 - φ 48	2130	2020	44 - φ 56
2000	760	/	/	2050	2325	2230	48 - φ 48	2345	2230	48 - φ 62
2200	1000	/	/	2220	2550	2440	52 - φ 56	/	/	/
2400	1100	/	/	2460	2760	2650	56 - φ 56	/	/	/
2600	1200	/	/	2510	2960	2850	60 - φ 56	/	/	/
2800	1200	/	/	2520	3180	3070	64 - φ 56	/	/	/
3000	1200	/	/	2520	3405	3290	68 - φ 62	/	/	/



The design, materials and specifications are subject to change without notice. This is due to continuous development