

## Double Eccentric Flange

D342X-10Q/16Q

Flanged butterfly valve adopts double eccentric soft seal structure, absorbs the structure and characteristics of similar products at home and abroad, overcomes the defects existing in the use of the original products, makes its life more durable and seals more reliable.

### Performance Parameter

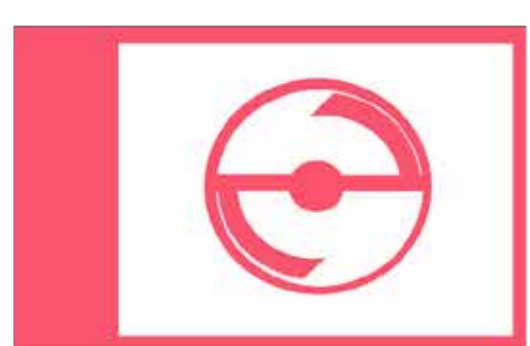
Nominal Pressure: 1.0/1.6MPa  
 Applicable Temperature: 0 ~ 80°C  
 Applicable Medium: Water, sewage  
 Operating mode: Manual operation options include hand wheel or pipe network types based on user preferences.

### Main Components

Body: Ductile iron  
 Disc: Ductile iron  
 Disc seal ring: 316L  
 Valve shaft: Stainless steel

### FEATURES

- Small size, light weight, easy installation, space saving.
- Using double eccentric results, the operation is labor-saving, more than half of the same caliber gate valve.
- Good flow performance, small fluid resistance.
- The sealing surface of the butterfly valve plate is processed by robot welding stainless steel.
- CNC machining, spherical sealing, to ensure that the butterfly valve sealed on both sides.
- Bi-directional zero leakage.
- The sealing ring is installed in the valve body to reduce impact damage and increase service life.
- It has good regulating performance and can be used as a regulating valve.
- According to user needs, manual, electric, pneumatic can control the valve switch.

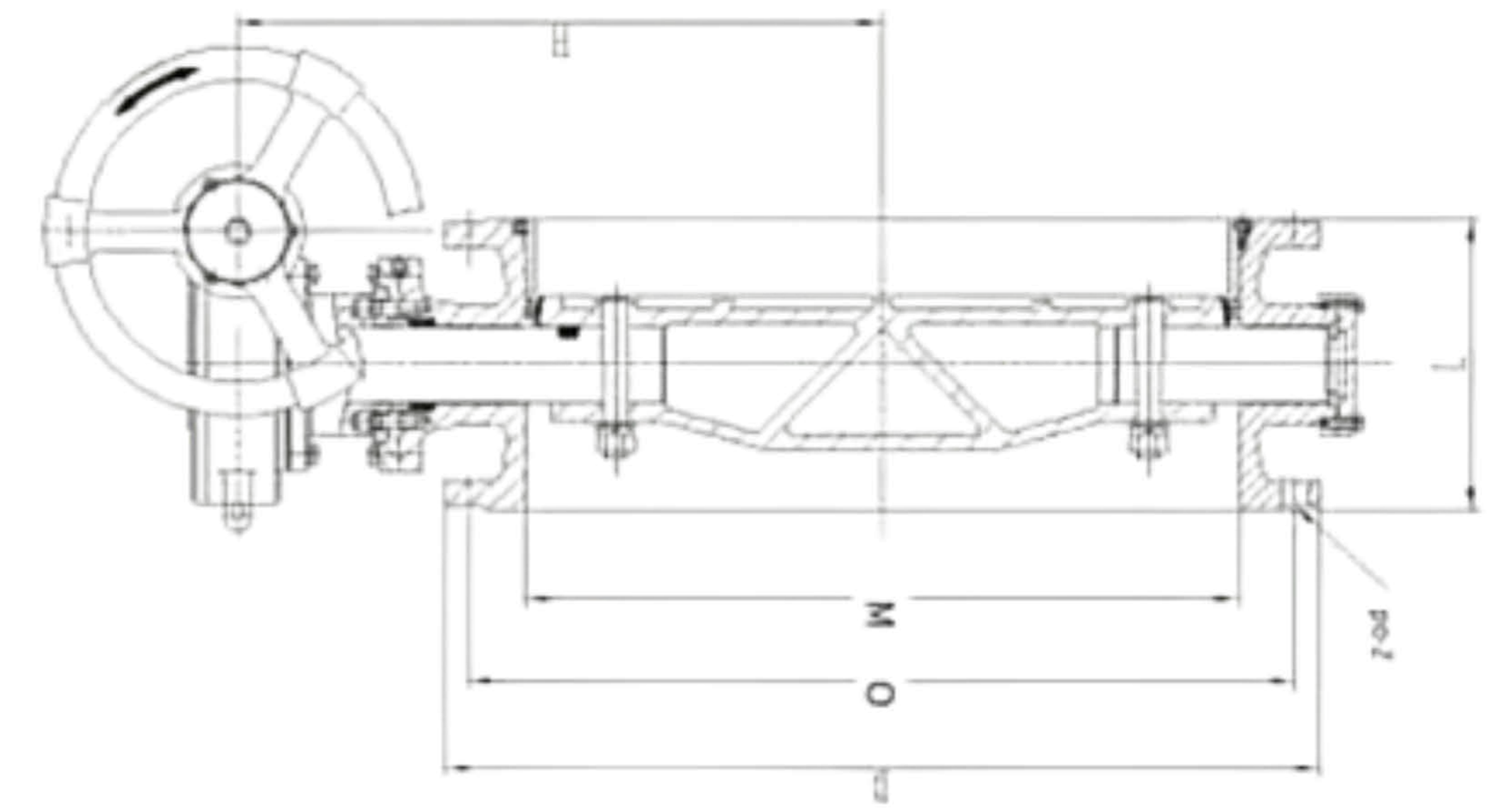


The design, materials and specifications are subject to change without notice. This is due to continuous development



## Main Components

Main Components	
Body :	Ductile iron
Disc :	Ductile iron
Disc seal ring :	316L
Valve shaft:	Stainless steel
O-ring:	NBR
Valve seat sealing ring:	NBR/EPDM
Bearing:	Copper based self – lubricating bearings



## Installation Dimension Unit : mm

DN	L				1.0MPa			1.6MPa		
	L	Expansion	Stretch	H	D	D1	n - φd	D	D1	n - φd
80	114	182	12	240	200	160	8 - φ19	200	160	8 - φ19
100	127	201	15	255	220	180	8 - φ19	220	180	8 - φ19
150	140	223	20	290	285	240	8 - φ23	285	240	8 - φ23
200	152	242	20	340	340	295	8 - φ23	340	295	12 - φ23
250	165	261	20	395	395	350	12 - φ23	405	355	12 - φ28
300	178	279	23	405	445	400	12 - φ23	460	410	12 - φ28
350	190	270	25	460	505	460	16 - φ23	520	470	16 - φ28
400	216	338	25	510	565	515	16 - φ28	580	525	16 - φ31
450	222	/	/	550	615	565	20 - φ28	640	585	20 - φ31
500	229	362	25	690	670	620	20 - φ28	715	650	20 - φ34
600	267	408	30	670	780	725	20 - φ31	840	770	20 - φ37
700	292	433	30	740	895	840	24 - φ31	910	840	24 - φ37
800	318	472	35	810	1015	950	24 - φ34	1025	950	24 - φ40
900	330	/	/	877	1115	1050	28 - φ34	1125	1050	28 - φ40
1000	410	565	35	920	1230	1160	28 - φ37	1255	1170	28 - φ43
1200	480	640	40	1030	1455	1380	32 - φ40	1485	1390	32 - φ49
1400	530	/	/	1270	1675	1590	36 - φ43	1685	1590	36 - φ49
1600	600	/	/	1655	1915	1820	40 - φ48	1930	1820	40 - φ56
1800	670	/	/	1840	2115	2020	44 - φ48	2130	2020	44 - φ56
2000	760	/	/	2050	2325	2230	48 - φ48	2345	2230	48 - φ56
2200	1000	/	/	2220	2550	2440	52 - φ56	/	/	/
2400	1100	/	/	2460	2760	2650	56 - φ56	/	/	/
2600	1200	/	/	2510	2960	2850	60 - φ56	/	/	/
2800	1200	/	/	2520	3180	3070	64 - φ56	/	/	/
3000	1200	/	/	2520	3405	3290	68 - φ62	/	/	/



The design, materials and specifications are subject to change without notice. This is due to continuous development